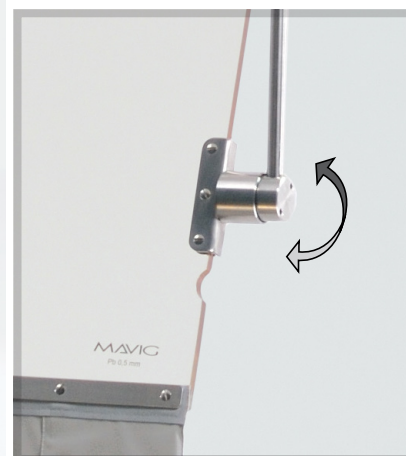


# EN OT80003



**Article No.:** OT80003  
E-OT40B03

X-ray protective shield with Portegra2 suspension arm (extension arm length: 75 cm)  
Lead acrylic shield / sparepart: 760 x 350 mm, Pb 0.50 mm, laterally guided,  
and with flexible lead rubber panels in hygienic covers

IEC 60601-1  
Made in Germany

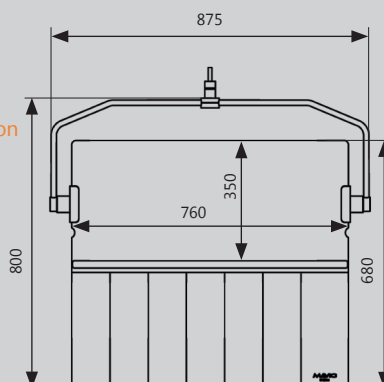


## OT80003 – X-Ray Protective Shield with Suspension Arm

MAVIG's products are designed to offer solid protection and optimized functionality. The high quality acrylic shield allows for an excellent transmittance and unimpeded view. All edges and corners have been rounded and shatter-proof materials are used to minimize risk of injury.

MAVIG's patented Portegra2 suspension arm provides its industry known safety features and movement flexibility. The laterally guided shield provides increased protection with its flexible drape panels, better shielding the user from scattered radiation emanating from the patient's body.

- **OT80003** X-ray protective shield (OT40B03) with preset Portegra2 suspension arm (OT50U010), consisting of 75 cm extension and 91 cm spring arm
- **Acrylic Shield** W x H: 76 x 35 cm (29.9 x 13.8 in), laterally guided
- **Lead Equivalent** Pb 0.50 mm
- **Lead Rubber Panels** 7 panels with hygienic covers, each 35 x 13 cm (13.8 x 5.1 in)



**MAVIG GmbH**  
X-Ray Protection and  
Medical Suspension Systems

Stahlgruberring 5  
81829 Munich  
Germany  
  
PO Box 82 03 62  
81803 Munich  
Germany

Phone +49 (0) 89 / 420 96 - 0  
Fax +49 (0) 89 / 420 96 - 200  
e-Mail info@mavig.com